



# EnerSalvis Series

## Energy Storage Inverter

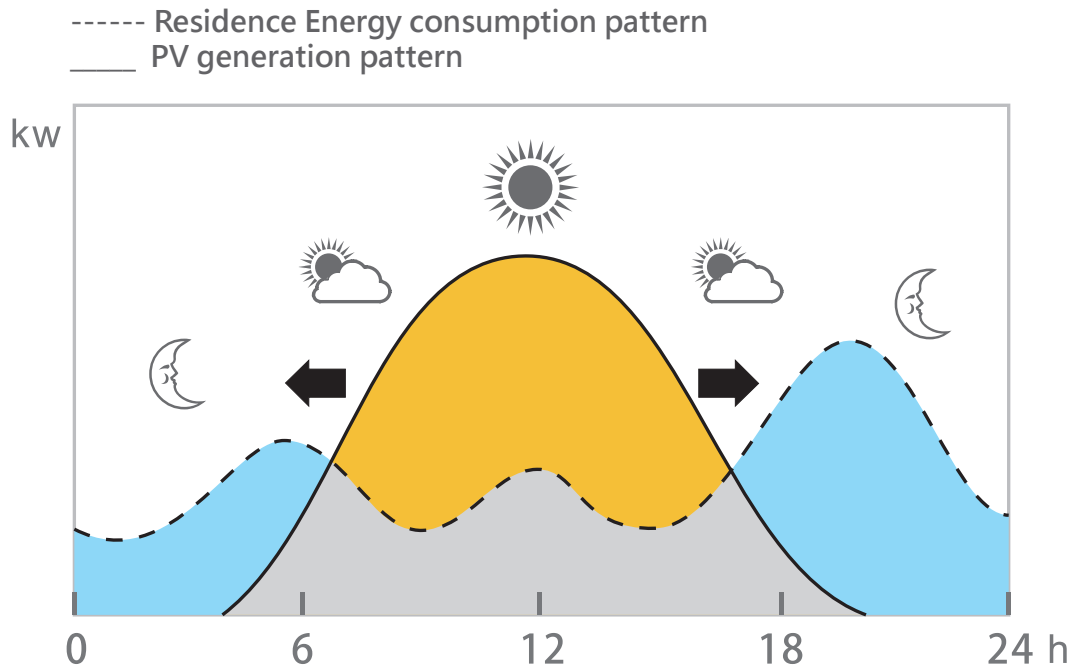
### ENC 1000/2000/3000/4000/5000

---

- Hybrid PV Inverter
- Pure Sine Wave Output voltage
- Output power factor 1
- Parallel operation
- UPS power
- Compatible to mains voltage or generator power
- On-grid or Off-grid priority via LCD setting
- Configurable AC/Solar input priority via LCD setting
- Integrated MPPT Technology
- Enhance High Current Charger
- Hot Swappable Battery Function
- Smart battery charger design for optimized battery performance
- Advance DSP Control Technology
- Wide Input AC Voltage Range
- LCD Display
- Smart Fan Operation
- Cold start function
- Overload and short circuit protection
- Auto restart while AC is recovering
- Optional Remote Control Panel available

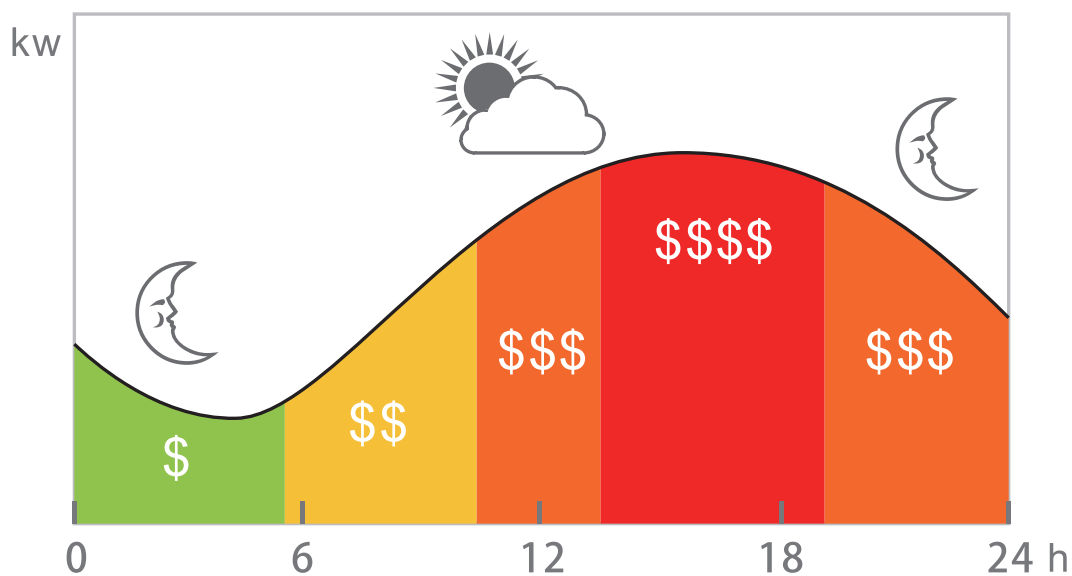
# Energy Storage System for Home

## Energy Self-Consumption



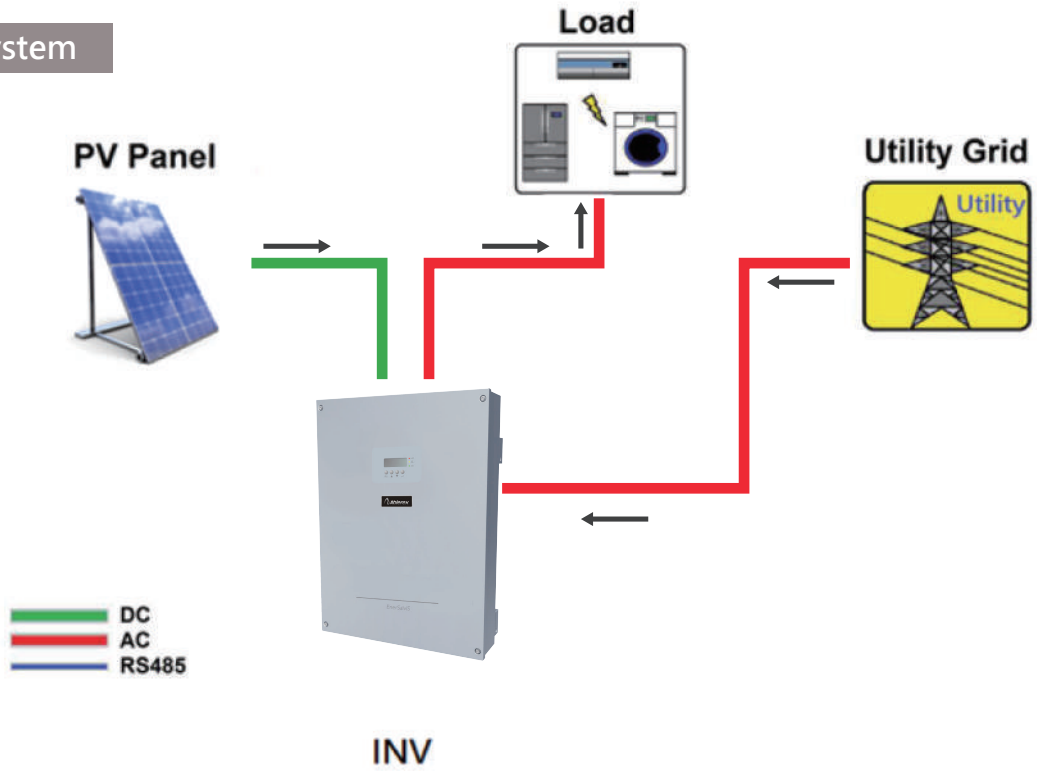
- Day: Charge and store energy generated by PV panel.
- Night: Consume the stored energy for home use.

## Peak Hours Shaving

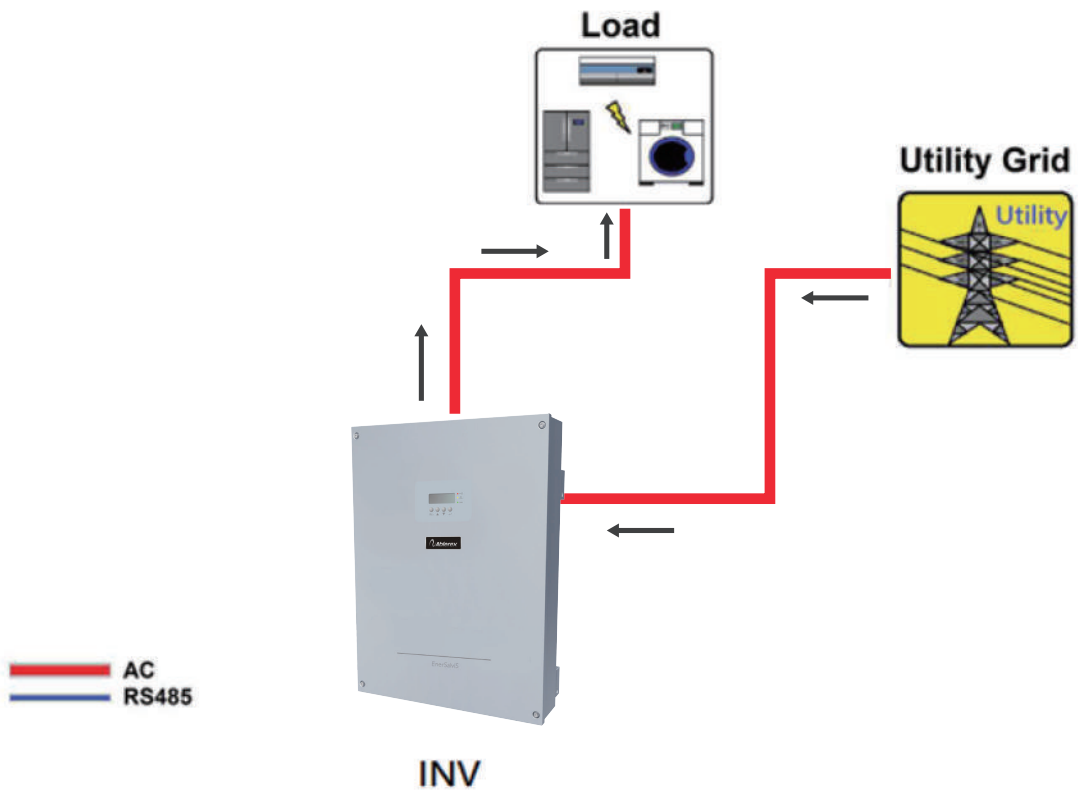


- Off-Peak Rate - Charge the battery pack during electricity off-peak rate hours.
- Peak Rate - Use the electricity from the battery pack during electricity peak rate hours.

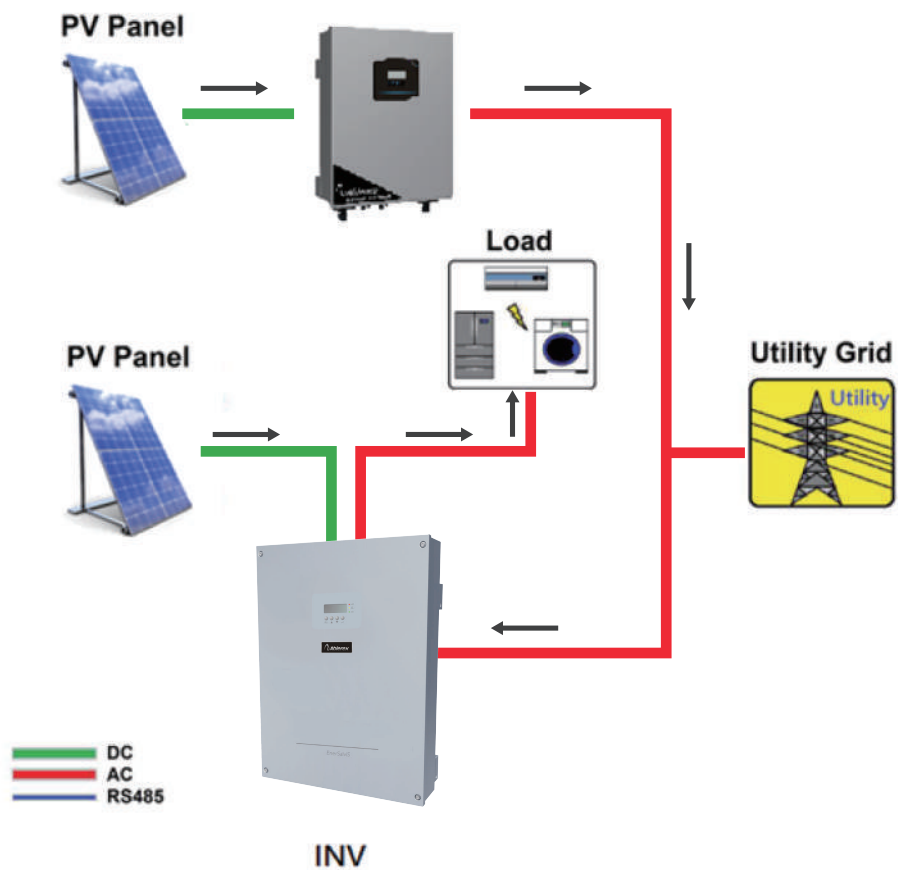
# ESS System



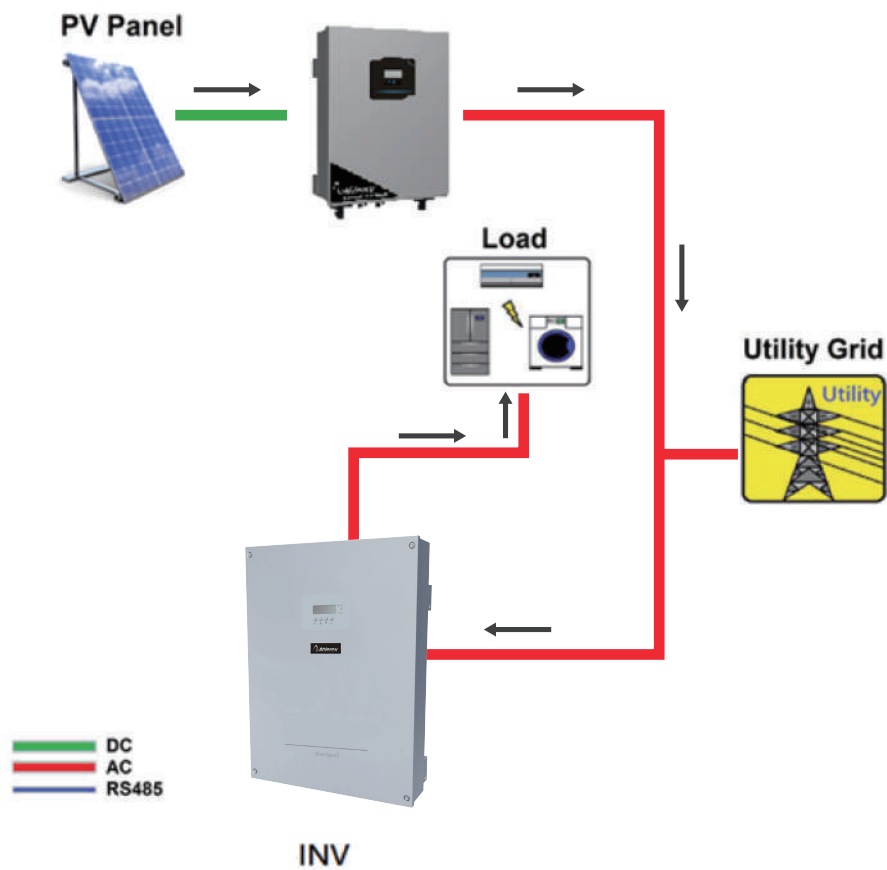
[Self-Consumption of Solar PV Power]



[Energy utilization without Solar PV Power]



[Integration with new and existing On Grid PV System]



[Integration with existing On Grid PV System]

# Energy Storage Inverter

MODEL	ITEM	ENC-1000	ENC-1000	ENC-3000	ENC-4000	ENC-5000
CAPACITY	VA	1000VA	2000VA	3000VA	4000VA	5000VA
	W	1000W	2000W	3000W	4000W	5000W
PV	Rated Voltage	40~200Vdc		100~500Vdc		
	MPPT Range	50~150Vdc		150~450Vdc		
	Max. Input Current	22A				
	Max. Input Current Circuit Voltage	200Vdc		500Vdc		
	PV Array Polarity Error Protection	Yes				
	Connection	terminal HP-T3061-1-3P				
Battery	Number of batteries	2	4			
	Rated Voltage	24Vdc	48Vdc			
	Charge Current (Max.)	50A		75A	100A	125A
	Floating Mode Charging Voltage	27.3Vdc±1%	54.6Vdc±1%			
	DC leakage current	≤30 μA with no AC applied and the unit in the off position				
	Connection	terminal HP-T3061-1-3P				
AC Input	Voltage Rating	110/140/160-300 VAC (Based on load percentage 0-25% / 25-50% / 50-100%)				
	Frequency Rating	45-65 Hz				
	Phase	Single phase with ground				
	Power Factor	≥ 0.99 (with full linear load)				
	Generator Input	Supported				
	Connection	terminal HP-T3061-1-3P				
AC Output	Voltage	230 V, adjustable to 200/208/220/230/240				
	Voltage Regulation	within ±1% until low-battery warning				
	Frequency (Synchronized Range)	3 Hz or 1 Hz (selectable)				
	Frequency (PV Mode)	50/60 Hz ±0.2% unless synchronized to line				
	Current Crest Ratio	3:1				
	Harmonic Distortion	< 3% at full linear load				
	Output Waveform	Pure sine wave				
	Connection	terminal HP-T3061-1-3P				

Efficiency	PV mode	90%	91%	93%	94%	95%
	Backup mode	91%	92%	92%	93%	94%
Front Panel	LCD	Normal, Battery, Bypass, Self-Test, Weak & Bad, Site Wiring Fault , Fault, Overload, and Load/Battery Level				
	Button	ON(Silence) / OFF / Enter / Function / UP / Down				
Physical	Dimensions (D x W x H in mm)	100 x 272 x 355	150 x 310 x 420	180 x 310 x 475		
	Weight	6Kg	7Kg	10Kg	12Kg	12.5Kg
Environmental	Orating Temperature	0~40°C				
	Noise Level	≤50dB				
	Relative Humidity	0-90% (without condensation)				
Interface	Standard	RS485				
	Compatible Platforms	Microsoft Windows series, Linux, Mac, etc.				
Standards and Certifications	Safety	IEC/EN 62040-1				
	EMC	EN62040-2, EN61000-3-2, EN61000-3-3				
	Markings	CE				